

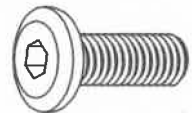
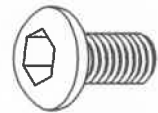


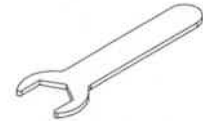


AXIS HEIGHT ADJUSTABLE FLIP TABLE

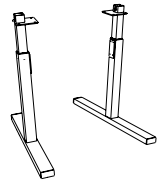
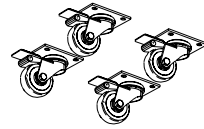

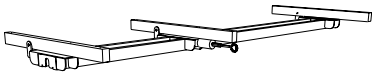


Assembly Instructions

Axis Height Adjustable Flip Table

Hardware List

<p>1</p>  <p>SCREW M8 x 16mm 25pcs</p>	<p>2</p>  <p>SCREW M6 x 8mm 9pcs</p>	<p>3</p>  <p>SCREW M10 x 50mm 3pcs</p>	<p>4</p>  <p>WASHER 6pcs</p>	<p>4</p>  <p>SCREW 5*60 9pcs</p>	
<p>5</p>  <p>PLASTIC WASHER 6pcs</p>	<p>6</p> <p>HEX KEY 5mm 1pc</p>	<p>7</p> <p>HEX KEY 4mm 1pc</p>	<p>8</p> <p>HEX KEY 2.5mm 1pc</p>	<p>9</p> <p>HEX KEY 8mm 1pc</p>	<p>10</p>  <p>WRENCH 1pc</p>

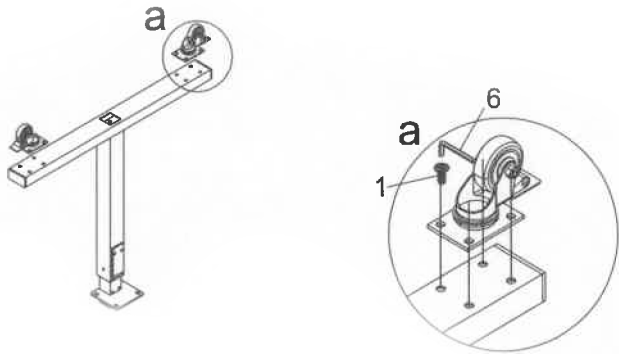
Parts List

<p>1</p>  <p>2 x Legs</p>	<p>2</p>  <p>4 x Castors</p>	<p>3</p>  <p>Handle</p>
<p>4</p>  <p>Pre-assembled Rail</p>	<p>5</p>  <p>Rail</p>	<p>6</p>  <p>Drivebar</p>

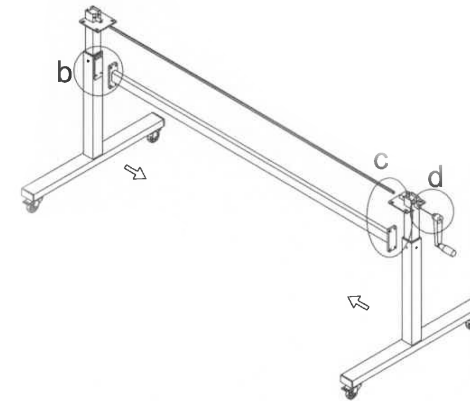
Axis Height Adjustable Flip Table

Assembly Instructions

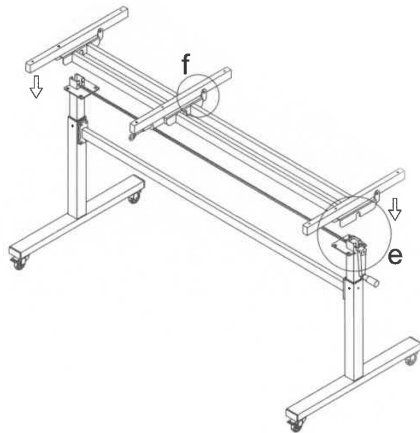
STEP 1:



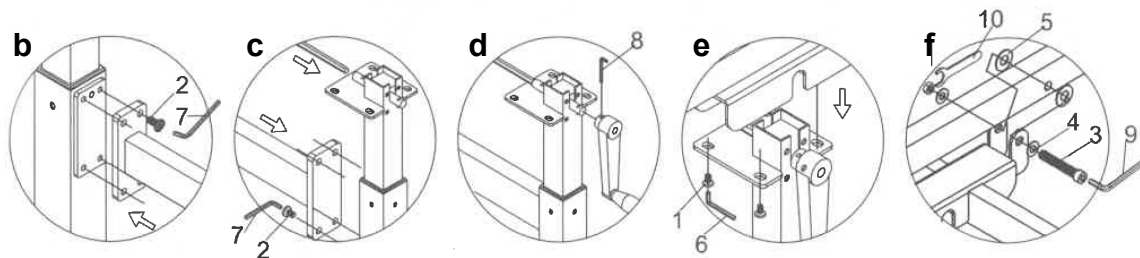
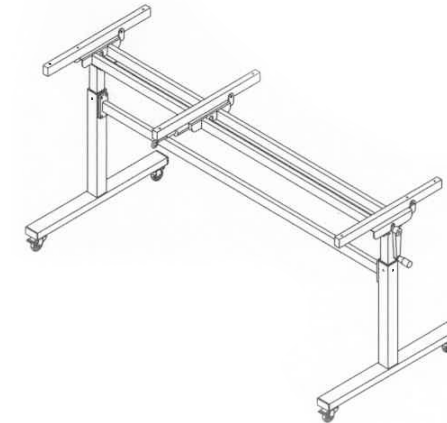
STEP 2:



STEP 3:



COMPLETED ASSEMBLY:

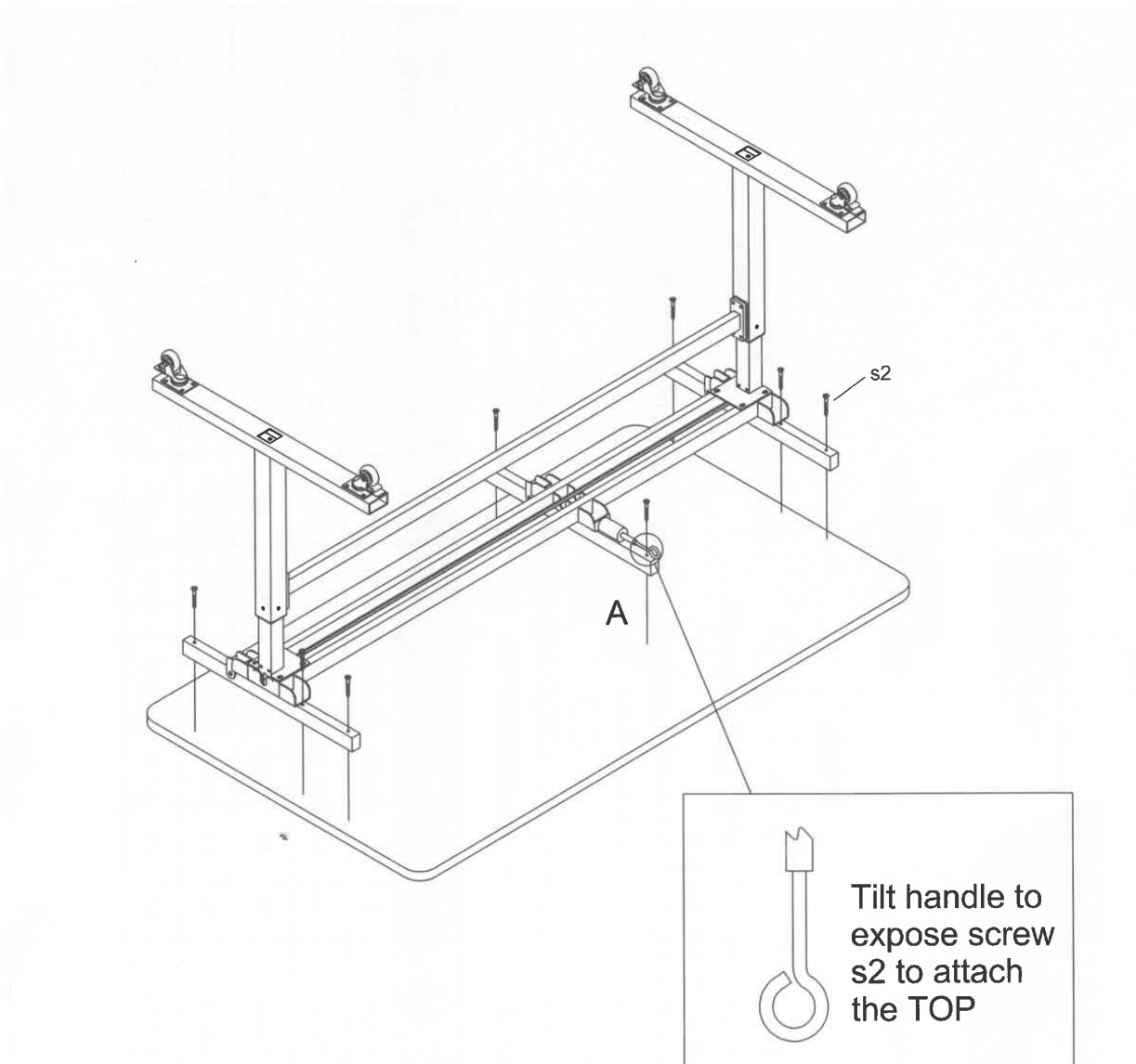


* Do not tighten until the end

* Do not tighten until the end

Axis Height Adjustable Flip Table

Assembly Instructions



Axis Height Adjustable Flip Table

Assembly Instructions



You have now successfully completed the assembly.